

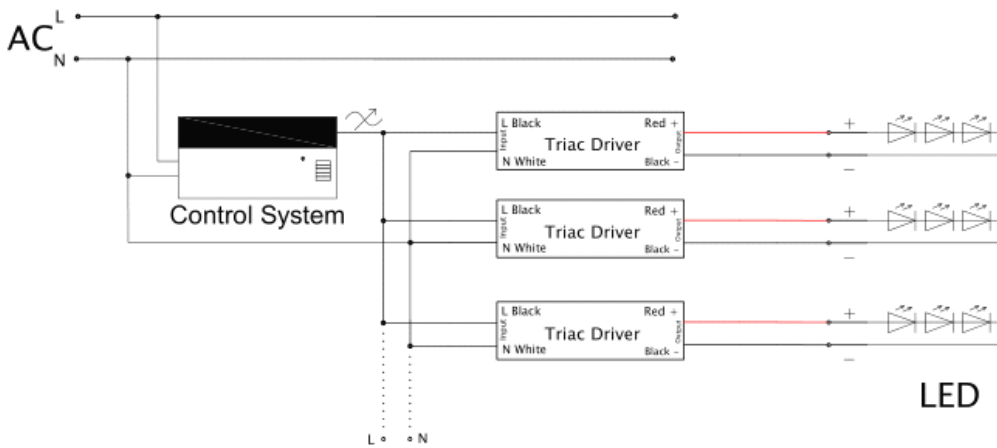
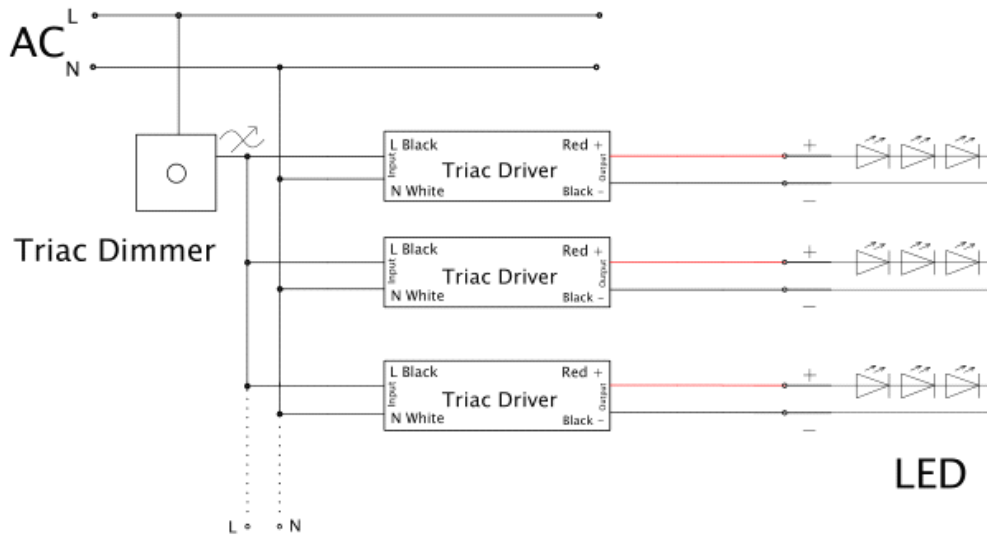
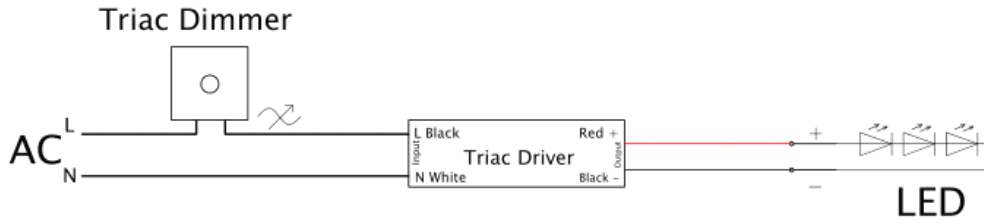






# Phase cut /Triac dimmable driver-PWM output KVF-60W

## ■ Connecting Diagram



## ■ Instruction:

- 1) This driver should be installed by qualified and professional person;
- 2) Please make sure the driver is installed with adequate ventilation around it to allow for heat dissipation.
- 3) Ensure that wiring is correct before test in order to avoid light and power supply damage;